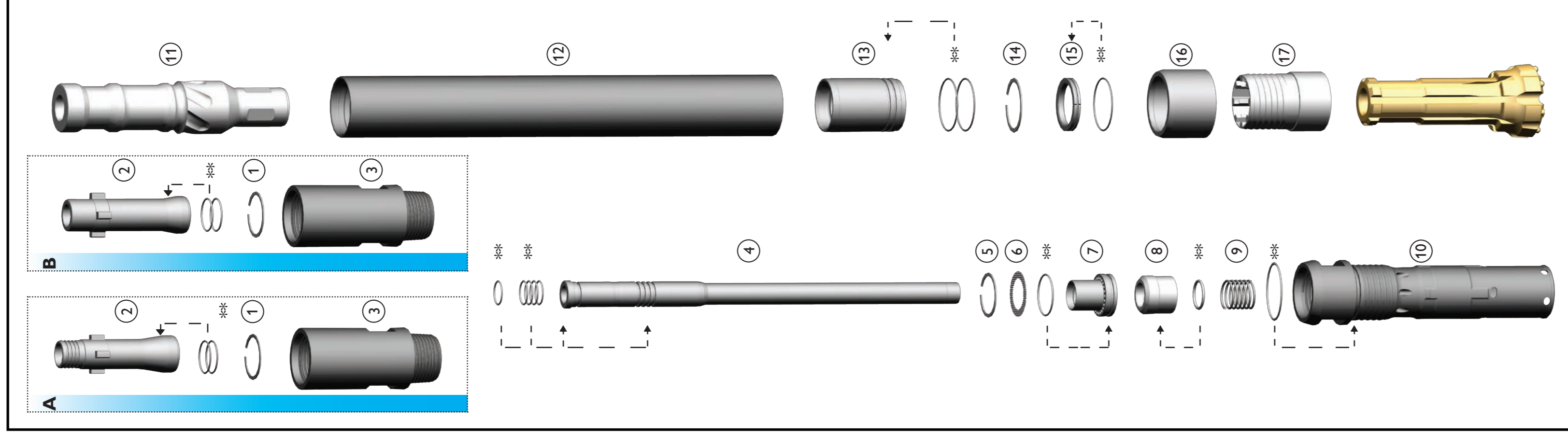


## Hammer and parts details



Hammer Assemblies		
REF	PART No	PART DESCRIPTION
<b>A</b>	32-542-R35 32-543-R35	Hammer Assy 3.5in Remet
1	41-D1300-0700	Circlip
2	20-540-R35	Adaptor Tube 3.5in Remet
3	33-542-R35	Top Sub 3.5in Remet
<b>A</b>	32-542-R40 32-543-R40	Hammer Assy 4in Remet
1	41-D1300-0800	Circlip
2	20-540-R40	Adaptor Tube 4in Remet
3	33-542-R40	Top Sub 4in Remet
<b>B</b>	32-542-M40 32-543-M40	Hammer Assy 4in Metzke
1	41-D1300-0800	Circlip
2	20-540-M40	Adaptor Tube 4in Metzke
3	33-542-M40	Top Sub 4in Metzke
<b>B</b>	32-542-MR40 32-543-MR40	Hammer Assy 4in Metzke/Remet
1	41-D1300-0800	Circlip
2	20-540-MR40	Adaptor Tube 4in M/R
3	33-542-M40	Top Sub 4in Metzke

### Parts List

REF	PART No	PART DESCRIPTION
4	37-542-000	Sample Tube
4A	37-542-00V	Sample Tube Venturi
5	41-D1300-0800	Circlip
6	21-542-000	Airscreen
7	29-542-000	Distributor Nozzle
8	25-542-000	Plunger
9	22-542-000	Spring
10	31-542-000 31-543-000	Inner Cylinder
11	36-542-000	Piston
12	35-542-000 35-543-000	Piston Case
13	26-542-000	Bush Drive Sub
14	23-540-000	Piston Retaining Ring
15	27-542-000	Bit Retaining Ring
16	40-542-503	Shroud Hrdn 5-3/16in 130mm
17	16-542-000	Drive Sub
	38-542-000	Rubber Parts Kit ( For Items 2, 4, 7, 8, 14, 15 ) **

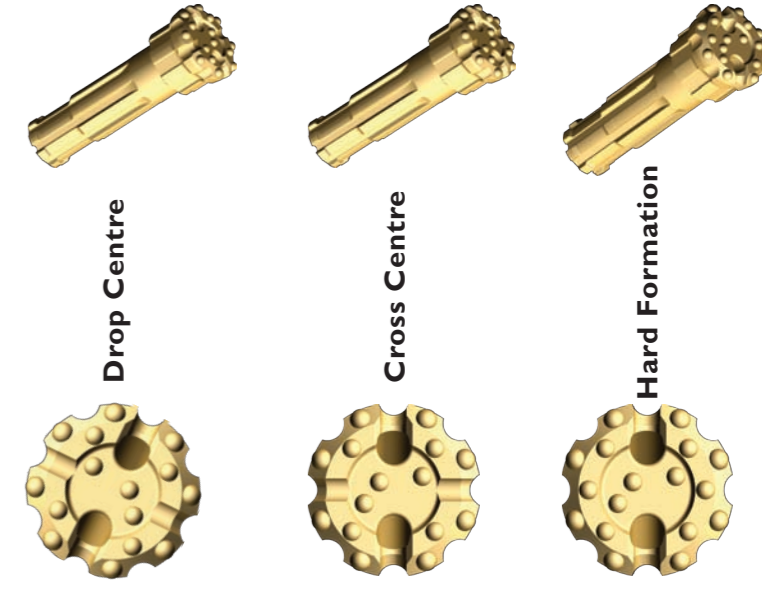
\*\* Rubber parts kit sold separately \*\*

## Bit and Shroud details

Bit assemblies include a hardened (non-coated) shroud 1/16in smaller than the bit diameter

### Bit Assortment

Bit Part No	Stock Code	Size (Inch)	Size (Mm)	Recommended Shroud
63-542-412CF	S	4-3/4in *	120.7mm	40-[ ]-411
63-542-412DC	S	4-3/4in *	120.7mm	40-[ ]-411
63-542-412HF	S	4-3/4in *	120.7mm	40-[ ]-411
63-542-414CF	S	4-7/8in	123.8mm	40-[ ]-413
63-542-414DC	S	4-7/8in	123.8mm	40-[ ]-413
63-542-414HF	S	4-7/8in	123.8mm	40-[ ]-413
63-542-500CF	S	5-in	127mm	40-[ ]-415
63-542-500DC	S	5-in	127mm	40-[ ]-415
63-542-500HF	S	5-in	127mm	40-[ ]-415
63-542-502CF	S	5-1/8 in	130.2mm	40-[ ]-501
63-542-502DC	S	5-1/8 in	130.2mm	40-[ ]-501
63-542-502HF	S	5-1/8 in	130.2mm	40-[ ]-501
63-542-504CF	S	5-1/4-in	133.4mm	40-[ ]-503
63-542-504DC	S	5-1/4-in	133.4mm	40-[ ]-503
63-542-600	N	6in	152.4mm	40-[ ]-515
63-542-608	N	6-1/2in	165mm	40-[ ]-607



### Metal Sprayed and Hardened Shroud Assortment

Metal Sprayed Shroud	Stock Code	Hardened Shroud	Stock Code	Size (Inch)	Size (Mm)
40-542M-407	N	40-542-407	S	4-7/16in *	112.7mm
40-542M-408	N	40-542-408	S	4-1/2in *	114.3mm
40-542M-409	N	40-542-409	S	4-9/16in *	115.9mm
40-542M-410	N	40-542-410	S	4-5/8in *	117.5mm
40-542M-411	N	40-542-411	S	4-11/16in	119.1mm
40-542M-412	N	40-542-412	S	4-3/4in	120.7mm
40-542M-414	N	40-542-414	S	4-7/8in	123.8mm
40-542M-415	N	40-542-415	S	4-15/16in	125.4mm
40-542M-500	N	40-542-500	S	5-in	127mm
40-542M-501	N	40-542-501	S	5-1/16-in	128.6mm
40-542M-503	N	40-542-503	S	5-3/16 in	131.7mm
40-542M-515	N	40-542-515	N	5-15/16in	150mm
		40-542-607	N	6-7/16in	163.5mm

\* Suitable for RE542 only

### 1. SAFE USE OF THIS PRODUCT

These are the primary generic hazards identified with the use of this product and the user should use this information as input to their own risk assessment / procedures reflecting the specific use the product is put to.

#### Personal Safety Measures

**Take 5 minutes !**

- >Plan, sequence and determine the resources required for each step of the job
- >Identify any hazards. A risk assessment using the Sandvik Risk Matrix or similar should be performed
- >Determine how to control the hazards identified and acquire the resources to do so

Doing a 'Take 5' every day is a quick and effective way to prevent incidents that can cause injury, property damage and can also improve the way a job is done

#### Stored Energy (Isolation)

Before stripping the hammer allow several minutes after ceasing operation for any compressed air trapped inside the hammer to dissipate

Always use correctly rated chain type breakout tools. Preferably operate breakout tools remotely

Take care when servicing the hammer or changing bits. Heavy internal parts can fall within from inside the hammer

#### Manual Handling

Beware of pinch points between the bit and the hammer shroud. The bit is a moving part - keep hands clear of this area if manual handling is necessary

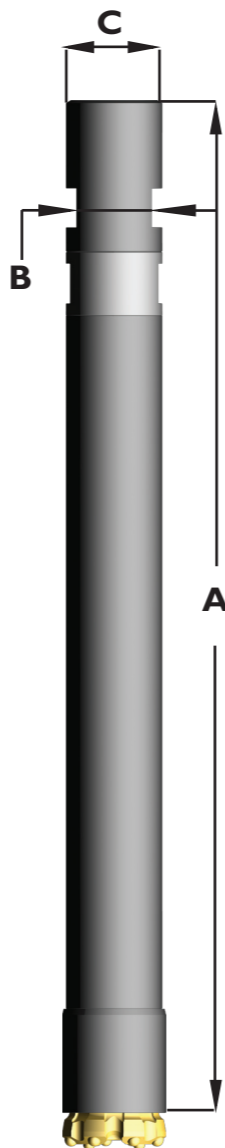
The hammer is cylindrical and very heavy. Make sure the hammer is stored safely to remove falling and rolling hazards

Use safe and proper lifting practices to avoid injuries

Always use a lifting bale and the rig's winch to remove and install an RC hammer

#### Emergency Response

Familiarize yourself with emergency stop switches and emergency response equipment. Always make sure you have a way of summoning help in an emergency



#### Bit Range 542

4 3/4in to 5 1/4in  
121mm to 133mm

#### Bit Range 543

4 7/8in to 5 1/4in  
124mm to 133mm

RE542/543		4 Inch	
PRESSURE	AIR CONSUMPTION		
psi	bar	cfm	m3/min
150	10.3	300	8.4
200	13.8	340	9.5
250	17.2	415	11.7
300	20.7	504	14.2
350	24.1	585	16.5
400	27.5	670	18.8

Wear Limits	
FEATURE	SIZE
Piston Nose	69.75mm
Piston Large OD	95.02mm
Piston Back OD	87.2mm
Piston Seal ID	44.74mm
Inner Cylinder ID	87.55mm
Piston Case ID	95.37mm
Piston Bush ID	70.2mm

#### Measurements

ITEM	SIZE
Standard hole size	124mm
A- Overall length (ex bit)	1204mm
B- Spanner flat (A/F)	96.5mm
C- Cylinder OD (542)	109mm
C- Cylinder OD (543)	117mm
Weight (approx ex bit)	50kgs

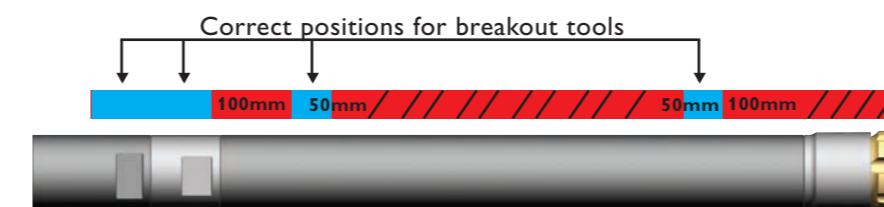
#### Warranty

- Warranty is void if the maximum recommended air pressure is exceeded. Given flows are indicative only.
- Inadequate lubrication will damage the hammer and void the warranty.

#### Lubrication

- Correct lubrication is critical to the performance and longevity of the hammer. Sandvik recommends:
- Oil Grade: SAE 320 Hammer Oil for most operating conditions
  - Rate: 2 litres/ hour minimum via an automatic feeder
  - Double the rate when injecting fluids such as water, foam & polymers
  - Clean and relubricate the hammer each day after use to prevent corrosion and premature failure.

\* Refer to the Operators manual for more detailed information.



Do not place/use breakout tools in red areas. Use a bit basket/breakout plate to breakout the bit. Incorrect breakout will void warranty

RE542/RE543

### Parts and Owner's Manual

