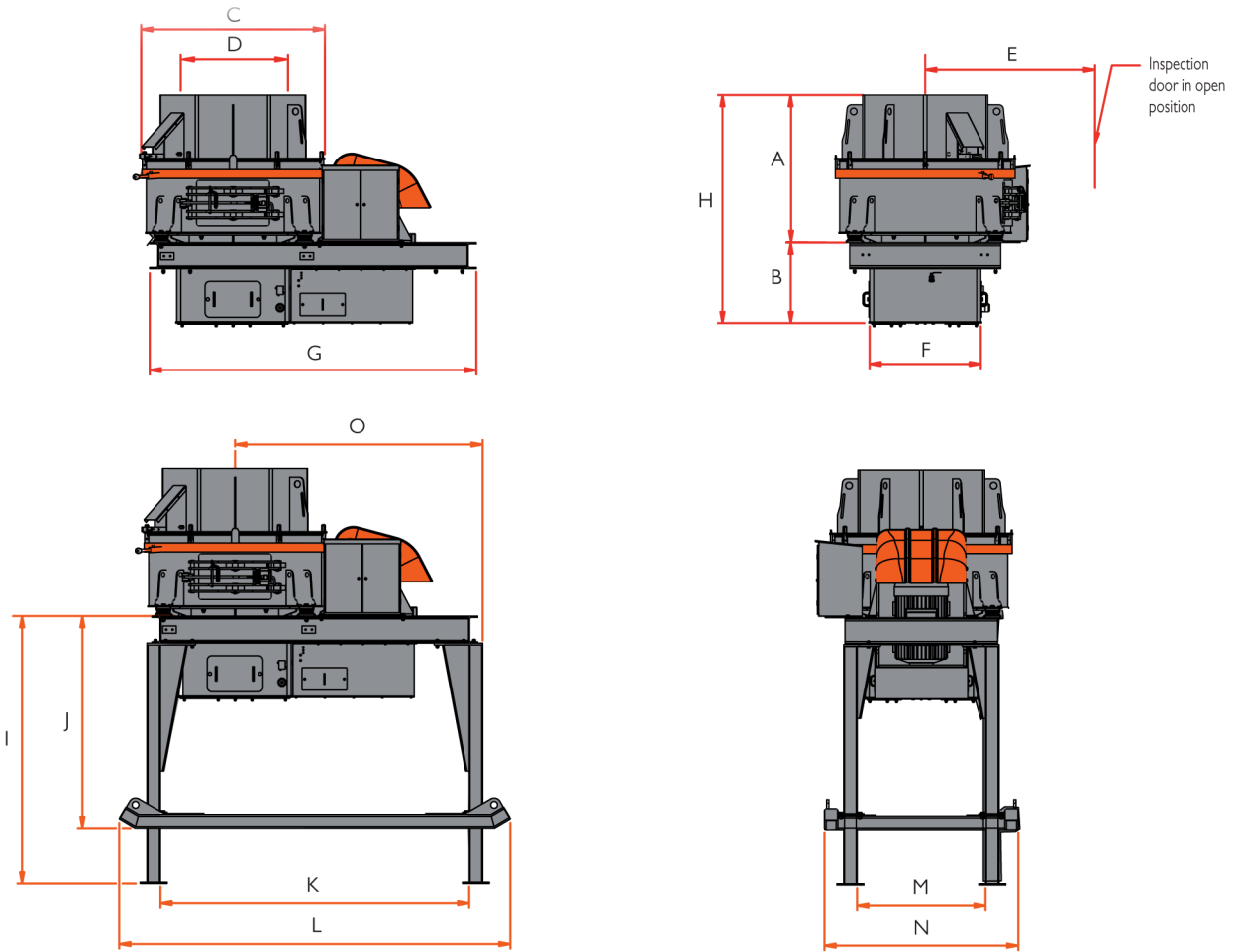
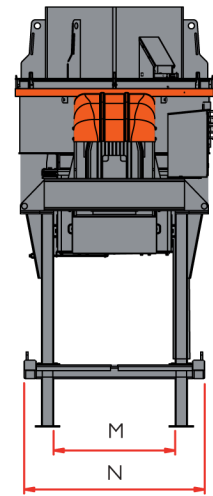
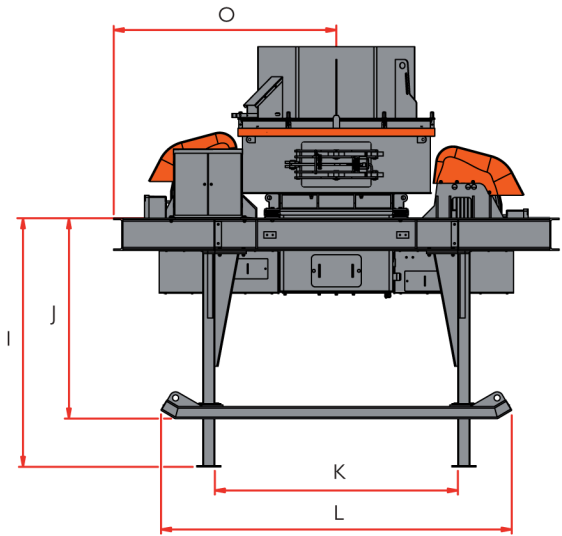
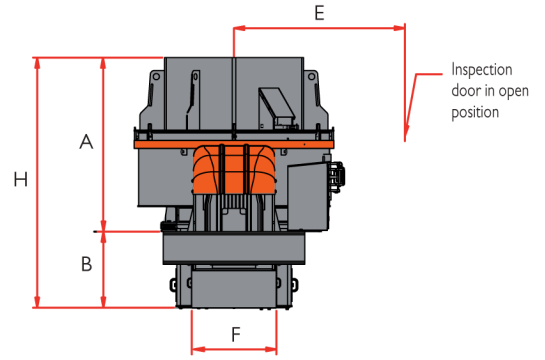
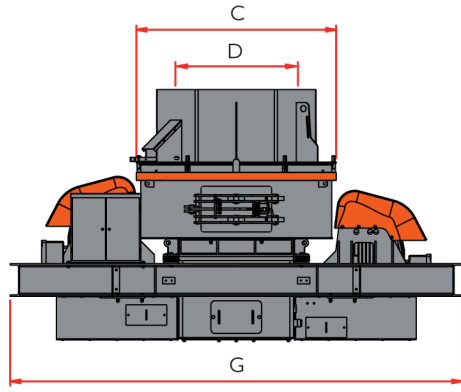


# Technical Data

## VSI CV200 series



Dimensions mm (in)	CV215		CV216		CV217		CV218	
A	1212	(47 3/4")	1648	(64 7/8")	1648	(64 7/8")	2130	(83 7/8")
B	790	(31 1/8")	905	(35 5/8")	905	(35 5/8")	931	(36 5/8")
C	1730	(68 1/8")	2040	(80 3/8")	2040	(80 3/8")	2444	(96 1/4")
D across flats	902	(35 1/2")	1016	(40)	1016	(40)	1216	(47 7/8")
E	1840	(72 3/8")	1912	(75 1/4")	1912	(75 1/4")	2090	(82 1/4")
F	1070	(42 1/8")	1250	(49 1/4")	1250	(49 1/4")	1420	(56)
G	3166	(124 5/8")	3626	(142 3/4")	3626	(142 3/4")	3750	(147 5/8")
H	2002	(78 7/8")	2553	(100 1/2")	2553	(100 1/2")	3061	(120 1/2")
I	2231	(87 7/8")	2970	(117)	2970	(117)	3076	(121 1/8")
J	2362	(93)	2362	(93)	2362	(93)	2480	(97 5/8")
K	2978	(117 1/4")	3438	(135 3/8")	3438	(135 3/8")	3562	(140 1/4")
L	4355	(171 1/2")	4352	(171 3/8")	4352	(171 3/8")	4355	(171 1/2")
M	1170	(46)	1430	(56 1/4")	1430	(56 1/4")	1480	(58 1/4")
N	2158	(85)	2158	(85)	2158	(85)	2228	(87 3/4")
O	2427	(95 1/2")	2757	(108 1/2")	2757	(108 1/2")	2806	(110 1/2")
Weight kg (lbs)	6000	(13228)	9500	(20944)	9500	(20944)	11776	(25963)
Max. feed size mm (in)	40	(1 5/8")	50	(2")	50	(2")	55	(2 3/16")
Capacity range tph (short tons)	10-50	(11-55)	51-121	(56-146)	122-192	(134-211)	193-250	(212-275)
Rotor rpm range (60 Hz speed)	1568-2101	(1576-2112)	1381-1982	(1388-1980)	1391-1973	(1487-1965)	1401-1677	(1408-1666)



Dimensions mm (in)	CV228		CV229	
A	2130	(83 7/8")	2130	(83 7/8")
B	931	(36 5/8")	931	(36 5/8")
C	2444	(96 1/4")	2444	(96 1/4")
D across flats	1216	(47 7/8")	1216	(47 7/8")
E	2090	(82 1/4")	2090	(82 1/4")
F	1420	(56)	1420	(56)
G	5500	(216 1/2")	5500	(216 1/2")
H	3061	(120 1/2")	3061	(120 1/2")
I	3090	(121 5/8")	3090	(121 5/8")
J	2480	(97 5/8")	2480	(97 5/8")
K	3018	(118 7/8")	3018	(118 7/8")
L	4355	(171 1/2")	4355	(171 1/2")
M	1500	(59)	1500	(59)
N	2228	(87 3/4")	2228	(87 3/4")
O	2750	(108 1/4")	2750	(108 1/4")
Weight kg (lbs)	14826	(32686)	14826	(32686)
Max. feed size mm (in)	55	(2 3/16")	55	(2 3/16")
Capacity range tph (short tons)	251 - 444	(276 - 489)	445 - 600	(490 - 661)
Rotor rpm range (60 Hz speed)	1401 - 1677	(1408 - 1666)	1401 - 1677	(1408 - 1666)